

reflecta PLANO Video Wall 60-6040



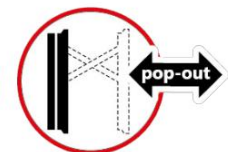
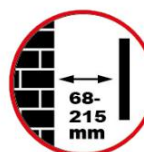
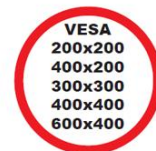
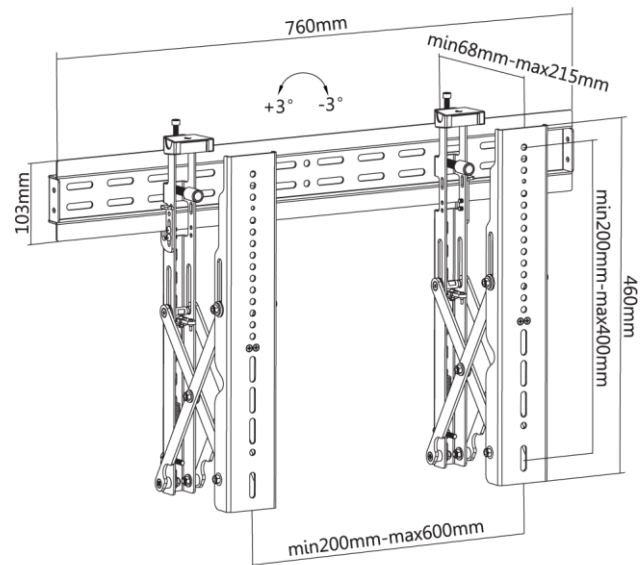
Product information

- Diagonal: 37-70" (84-178 cm)
- Max Loading Weight: 45 kg
- Vesa: 200x200, 300x300, 400x200, 400x400 600x400
- Distance to wall: 68-215 mm
- Anti Theft System (padlock required)
- Pop-Out function

Art-Nr.: 23175

EAN Code: 4005039231759

Specifications subject to change without prior notice.



reflecta gmbh

Merkurstrasse 8

D 72184 Eutingen

Phone: +49 (0) 7457 9465-60

Fax: +49 (0) 7457 9465-72

e-mail: mail@reflecta.de

http: www.reflecta.de