



B-TECH AV MOUNTS™

FEATURES UP
TO 90° TILT
ADJUSTMENT

BT8540

UNIVERSAL LOW LEVEL FLAT SCREEN TROLLEY



Designed to mount screens and interactive displays at a low level, the BT8540 features an incremented tilt adjustment up to 90° for the perfect viewing angle, making it ideal for creating information points in both retail and exhibition environments. Braked castors allow the install to be easily repositioned, and height adjustable levelling feet are also included to create a freestanding configuration if required.

SPECIFICATION

Recommended screen size	up to 65"
Max load	70kg
VESA® compatibility	600 x 400
Tilt adjustment	0°, 22.5°, 45°, 67.5° and 90°
Dimensions (with castors)	W: 1126mm H: 844mm D: 769mm
Colour (base)	Black
Colour (poles)	Black or Chrome

FEATURES

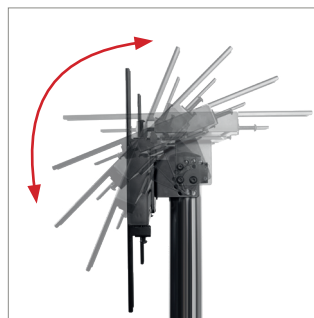
- Designed to mount screens and interactive displays at a low level
- High-end aesthetic quality
- Features tilt adjustment in incremented positions for the perfect viewing angle
- Ideal for creating information points in retail applications or museum exhibitions
- Non-marking 4" locking/braked castors included to allow the install to be easily repositioned
- Also supplied with optional screw in levelling feet to create a freestanding configuration
- Compatible with shelves and other AV accessories (*available separately*) that can be pole mounted
- Grub screws secure the collars and mounting plates to the poles
- Security screws prevent the screen dislodging at maximum tilt, and also prevents unauthorised removal
- Other height options can be requested to accommodate the install
- Simple 'hook-on' installation
- All mounting hardware supplied



SYSTEM X™



Ideal for close-to-the-wall installations



Features tilt adjustment in incremented positions for the perfect viewing angle



Grub screws secure the collars and mounting plates to the poles



Simple 'hook-on' installation

