



FOR TWO  
 SCREENS  
 UP TO 38"

# BT8511

## UNIVERSAL TWIN SCREEN VC TROLLEY WITH CAMERA SHELF

The BT8511 is the ideal mobile video conferencing solution for twin screens up to 46". The trolley is supplied with a shelf for VC cameras which gives the user the flexibility to mount their camera either above or below the screens and integrated cable management keeps finished installations neat and tidy. Non-marking braked castors allow the trolley to be relocated easily and safely without marking floor surfaces and optional screw-in levelling feet are also included for freestanding applications if mobility is not required.

### SPECIFICATION

Recommended screen size	39" to 46"
Max load	20kg (per screen)
VESA® and non-VESA fixings	up to 400 x 400mm
Dimensions	W:1500mm H:1691mm D:769mm
Colour option (Ø60mm poles)	Black or Chrome

### FEATURES

- Universal design suitable for mounting two medium sized screens side-by-side
- High-end aesthetic quality
- Includes VC shelf which can be fixed above or below the screens
- Features non-marking 4" locking/braked castors
- Also supplied with adjustable levelling feet
- Arms feature levelling screws to adjust the screen height
- Accessories such as shelves can be fitted to the poles using Ø60mm collars
- Integrated cable management for a neat and tidy installation
- Safety screws help prevent unauthorised screen removal
- Simple 'hook-on' screen installation



VESA 400    46" 116cm    20KG    PER SCREEN    POLES



Simple 'hook-on' installation



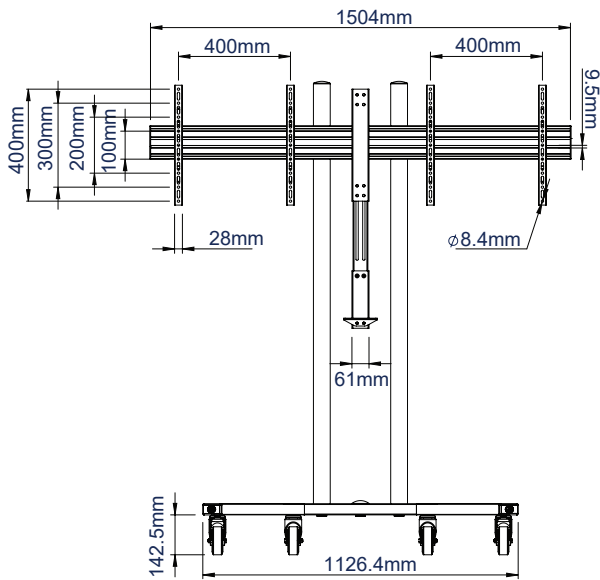
VC shelf can mount camera above or below the screens



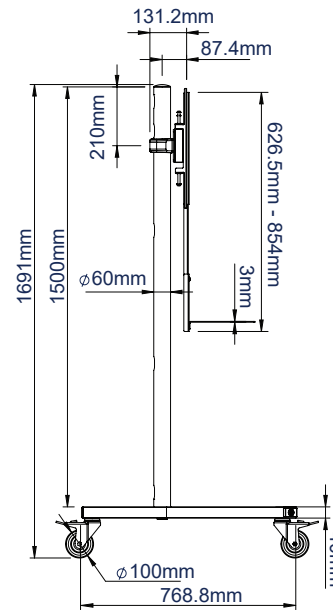
Includes non-marking 4" locking/braked castors



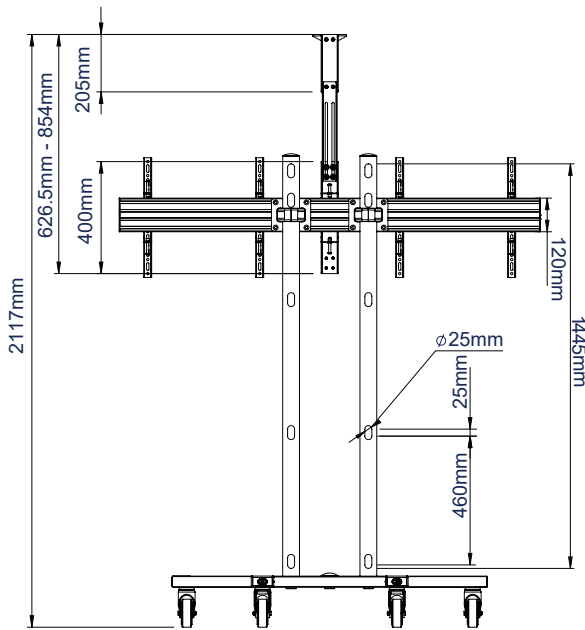
Collar compatible accessories can be fitted to the poles



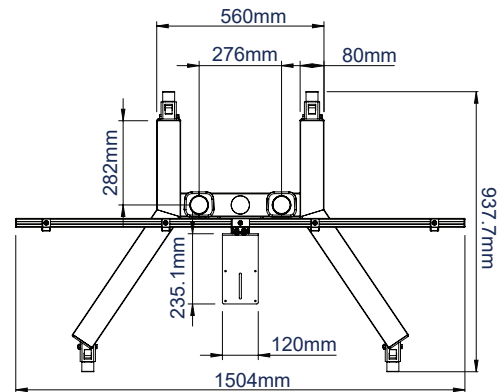
FRONT VIEW



SIDE VIEW



REAR VIEW



TOP VIEW

PACKING INFORMATION

COLOUR:	ORDER REF:	EAN CODE:	MASTER CARTON QTY:	INNER CARTON QTY:	MASTER CARTON WEIGHT:	MASTER CARTON CUBE:
Black Base & Black Poles	BT8510/BB	5019318089152				
Black Base & Chrome Poles	BT8510/BC	5019318089213				

ACCESSORIES AND RELATED PRODUCTS



**BT7032**  
Large AV Accessory Shelf is ideal for adding AV accessories such as a Blu-Ray player or laptop to an installation



**BT7865**  
Keyboard and Mouse Shelf can be mounted directly to the poles



**BT7880**  
Apple TV Mount allows you to mount the latest Apple TV to your VC stand



**BT8511**  
Twin Screen VC Trolley with Webcam Shelf for screens from 32" up to 38"

© 2018 B-Tech Av Mounts Professional Design & Manufacturing Ltd. All rights reserved. The information in this specification sheet reflects the current technical specifications of B-Tech Av Mounts Professional Design & Manufacturing Ltd. We reserve the right to change the technical or physical specifications without notice. This B-Tech Av Mounts Professional Design & Manufacturing Ltd. specification is provided for informational purposes only. B-Tech Av Mounts Professional Design & Manufacturing Ltd. is not responsible for any damage caused by improper installation or use. Any reproduction or transmission of any part of this specification is strictly prohibited unless prior written permission has been granted by B-Tech Av Mounts Professional Design & Manufacturing Ltd. Ltd.

SS-V2-BT8511-230218