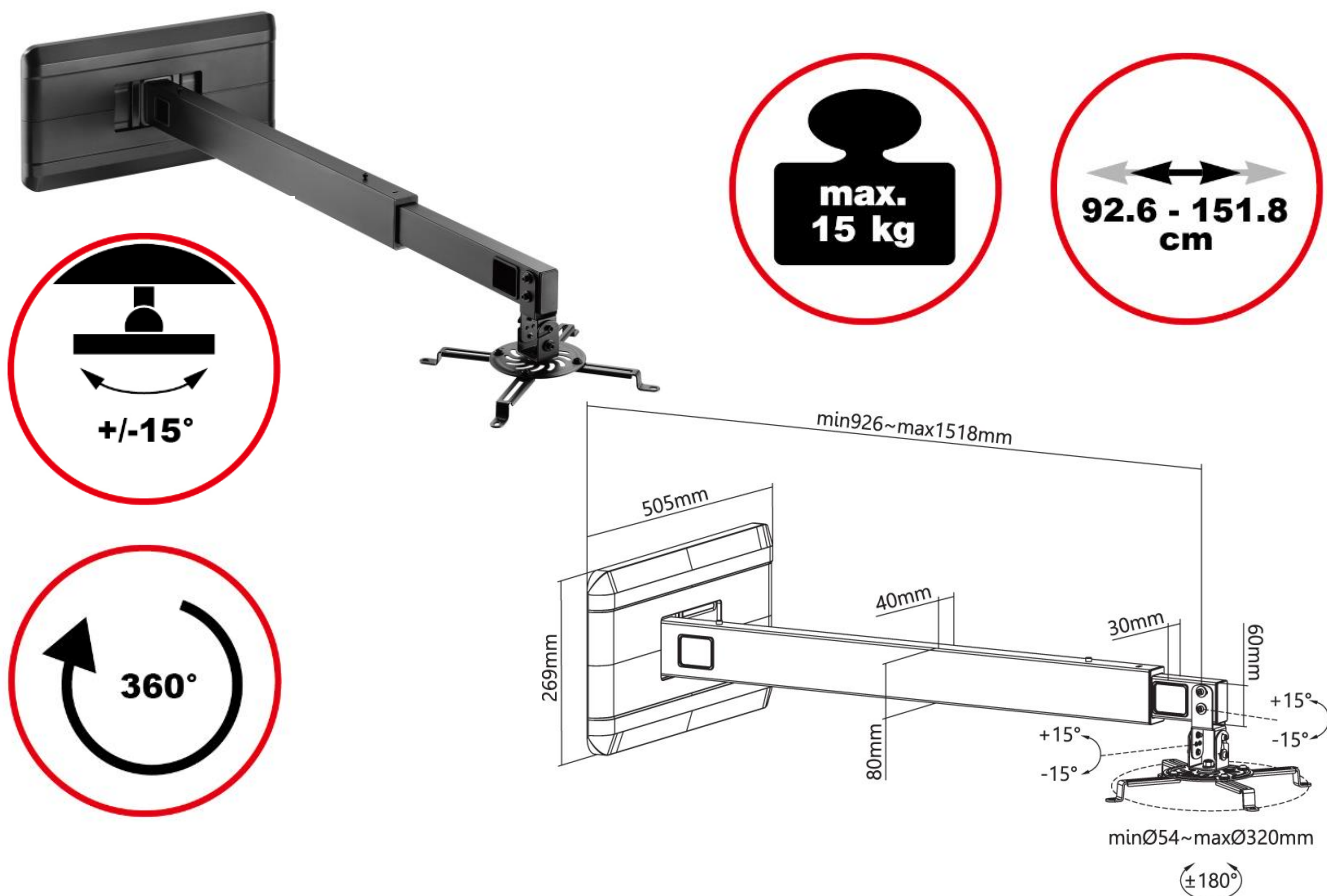


reflecta Vesta 152S



Product information:

- Universal wall mount for video projector
- Max. loading weight: 15 kg
- Adjustable length: 92.6 – 151.8 cm
- Tilt: +/-15°
- Swivel: +/-15°
- 360° rotation
- Mounting range: 5.4 – 32 cm
- Cable management
- Material: Powder coated steel
- Dimensions: 1680x505x269mm
- Color: Black

Code: 23173

EAN Code: 4005039231735

Specifications subject to change without prior notice

reflecta gmbh

Merkurstr. 8

D 72184 Eutingen

Phone: +49 (0) 7457 9465-60

Fax: +49 (0) 7457 9465-72

e-mail: mail@reflecta.de

http: www.reflecta.de