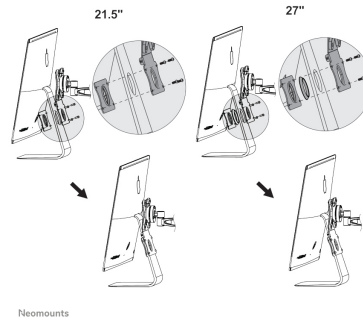


FPMA-VESAMAC2127 NEOMOUNTS BY NEWSTAR IMAC VESA

Neomounts by Newstar Apple iMac
(post-2012) VESA mount adapter plate



SPECIFICATIONS

GENERAL

Max. weight	15
Min. weight	0
Screens	1
VESA maximum	100x100 mm
VESA minimum	75x75 mm
VESA pattern	75x75 100x100

FUNCTIONALITY

Height adjustment	None
Type	Fixed

INFORMATION

Color	Silver
Warranty	5 year
EAN code	8717371445546

The Neomounts by Newstar adapter, model FPMA-VESAMAC2127, provides your Apple iMac screen with a VESA hole pattern. By using a VESA pattern you can install your iMac to a Neomounts by Newstar desk or wall mount bracket. The Mac adapter has the VESA hole pattern: 75x75 and 100x100.

The adapter is compatible with 21.5" to 27" screens.

How does it work? Install this bracket to the existing iMac foot. Mount the adapter to any Neomounts by Newstar wall- or desk mount. This adapter offers a VESA hole pattern 75x75 and 100x100. Any mount with VESA75 or VESA100 can be combined with it. Look on our website for your desired support.

This adapter is made of durable high quality metal. All installation material is included with the product.

*Please note: The inch sizes stated are just an indication, combined with the weight and VESA sizes. The maximum weight and VESA size are absolute restrictions for the products and should not be exceeded.